

Adjustable Stainless Steel-Hand levers

Hygienic Design

SPECIFICATION

Handle

Stainless Steel precision casting

- AISI CF-8
- polished ($R_a < 0.8 \mu\text{m}$) **PL**

Version with bushing

Stainless Steel AISI 304

Version with threaded stud

Stainless Steel AISI 304

Sealing ring / Wiper

H-NBR **H**

- blue
- temperature resistant -25 °C to +150 °C
- Hardness 85±5 Shore A
- FDA compliant

INFORMATION

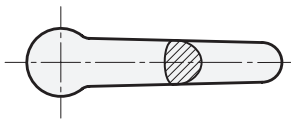
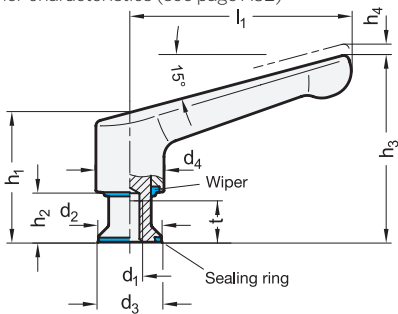
Adjustable Stainless Steel-Hand levers GN 305 with solid Stainless Steel handle are intended for use in hygienic areas. The sealed mounting surface enables fastening without dead spaces. The high quality finish as well as the impervious exterior surfaces prevent adherence of dirt and facilitate cleaning.

Adjustable hand levers are ideal whenever parts have to be clamped in a confined space or in a particular lever position.

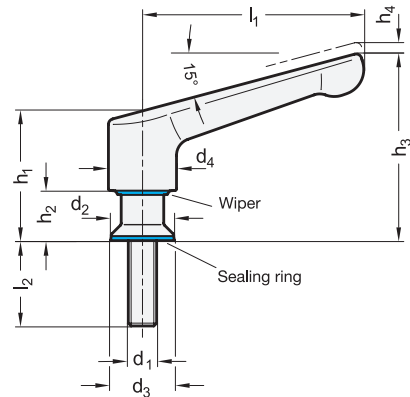
The threaded insert is moveably attached to the handle with serrations. When pulling the handle, the serration frees itself and can be re-located into any required position. Engagement is achieved by releasing the lever.

TECHNICAL INFORMATION

- Stainless Steel characteristics (see page A26)
- Elastomer characteristics (see page A32)



NV 20025



GN 305-with threaded stud

STAINLESS STEEL

Description	l1	d1	l2	d2	d3	d4	h1	h2	h3	h4	t	Stroke min.	Δ
GN 305-63-M6-12-PL-H	63	M 6	12	14	14.8	19	43.8	16.3	60.1	2.5	10	104	
GN 305-63-M6-16-PL-H	63	M 6	16	14	14.8	19	43.8	16.3	60.1	2.5	107		
GN 305-63-M6-20-PL-H	63	M 6	20	14	14.8	19	43.8	16.3	60.1	2.5	108		
GN 305-63-M6-25-PL-H	63	M 6	25	14	14.8	19	43.8	16.3	60.1	2.5	110		
GN 305-63-M6-32-PL-H	63	M 6	32	14	14.8	19	43.8	16.3	60.1	2.5	113		
GN 305-63-M8-12-PL-H	63	M 8	12	18	18.8	19	45.8	18.3	62.1	2.5	120		
GN 305-63-M8-16-PL-H	63	M 8	16	18	18.8	19	45.8	18.3	62.1	2.5	125		
GN 305-63-M8-20-PL-H	63	M 8	20	18	18.8	19	45.8	18.3	62.1	2.5	132		
GN 305-63-M8-25-PL-H	63	M 8	25	18	18.8	19	45.8	18.3	62.1	2.5	140		
GN 305-63-M8-32-PL-H	63	M 8	32	18	18.8	19	45.8	18.3	62.1	2.5	150		
GN 305-78-M8-12-PL-H	78	M 8	12	18	18.8	24	49.3	16.5	69.3	3	193		
GN 305-78-M8-16-PL-H	78	M 8	16	18	18.8	24	49.3	16.5	69.3	3	195		
GN 305-78-M8-20-PL-H	78	M 8	20	18	18.8	24	49.3	16.5	69.3	3	198		
GN 305-78-M8-25-PL-H	78	M 8	25	18	18.8	24	49.3	16.5	69.3	3	200		
GN 305-78-M8-32-PL-H	78	M 8	32	18	18.8	24	49.3	16.5	69.3	3	230		
GN 305-78-M10-16-PL-H	78	M 10	16	22	22.8	24	51.3	18.5	71.3	3	270		
GN 305-78-M10-20-PL-H	78	M 10	20	22	22.8	24	51.3	18.5	71.3	3	290		
GN 305-78-M10-25-PL-H	78	M 10	25	22	22.8	24	51.3	18.5	71.3	3	295		
GN 305-78-M10-32-PL-H	78	M 10	32	22	22.8	24	51.3	18.5	71.3	3	308		

GN 305-with bushing

STAINLESS STEEL

Description	l1	d1	d2	d3	d4	h1	h2	h3	h4	t	Stroke min.	Δ
GN 305-63-M6-PL-H	63	M 6	14	14.8	19	43.8	16.3	60.1	2.5	10	104	
GN 305-63-M8-PL-H	63	M 8	18	18.8	19	45.8	18.3	62.1	2.5	12	108	
GN 305-78-M8-PL-H	78	M 8	18	18.8	24	49.3	16.5	69.3	3	12	194	
GN 305-78-M10-PL-H	78	M 10	22	22.8	24	51.3	18.5	71.3	3	15	189	